



# EXTENDEBED & SHELVING

MARCH 2024



## ADRIAN STEEL®

Cargo Management Solutions for Commercial Vehicles

### INTEGRATED TRUCK SOLUTIONS

**BUILT FOR PROFESSIONALS // DESIGNED FOR HARD WORK**



# A WHOLE NEW ERA OF PICKUP TRUCK SOLUTIONS.

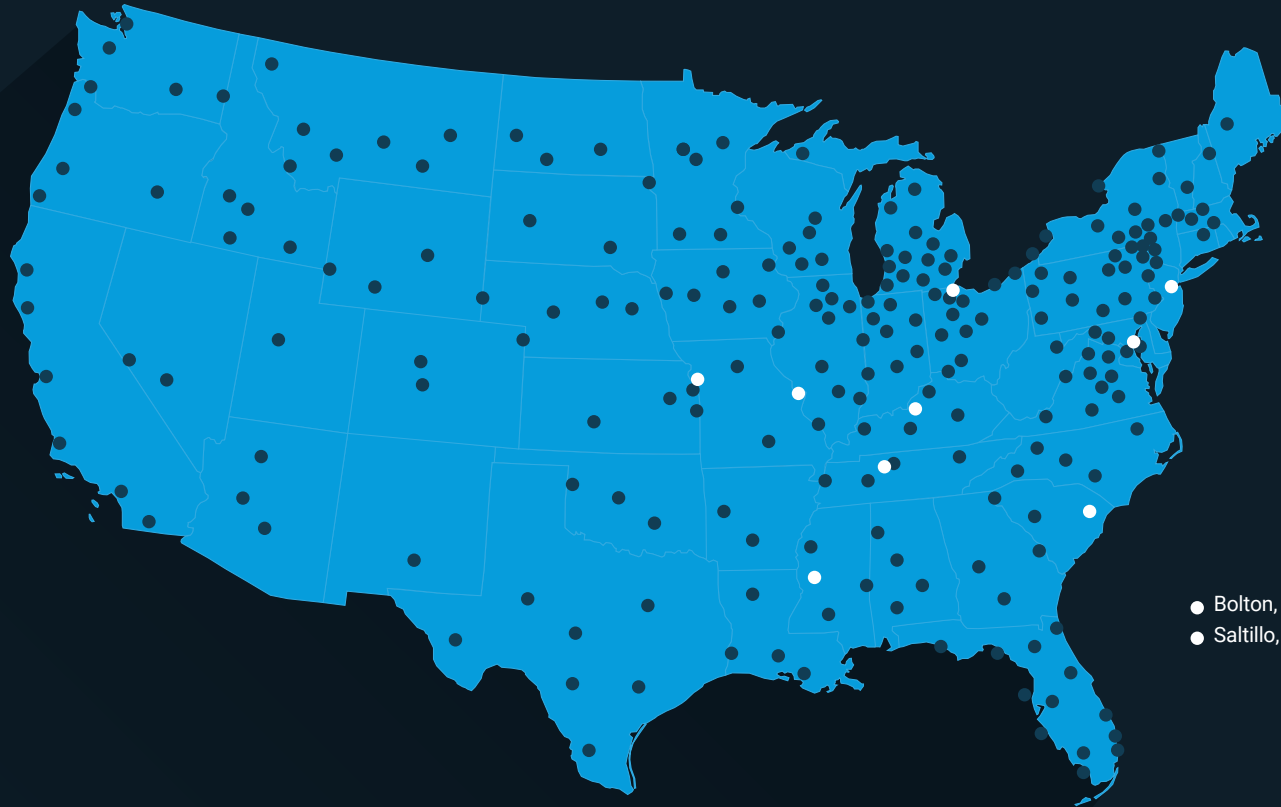
For years, you've known Adrian Steel as a trusted resource for upfitting your cargo vans. As the industry shifts towards pickup trucks, we're leading the charge with our integrated truck solutions while remaining committed to our industry-best lead times that Adrian Steel customers have relied on for years. Serving as a one-stop-shop for simplified ordering, our integrated truck solutions offer you the benefit of lead times that are unmatched, and

**A RANGE OF TRUCK PRODUCTS DESIGNED SPECIFICALLY TO WORK TOGETHER AS MUCH AS THEY WORK FOR YOU.**

# 250+ DISTRIBUTORS & 11 SHIP-THRU LOCATIONS NATIONWIDE.

WE SPECIALIZE IN TAILORED UPFITTING SOLUTIONS TO SUIT A DIVERSE RANGE OF BUSINESSES AND VEHICLE PLATFORMS.

Whether you operate a single work vehicle or manage a fleet of thousands, Adrian Steel has the right solution for your business. Our distribution network supports customers in the local market and our fleet team supports customers that need work-ready vehicles delivered across the nation.



- Bolton, ON Canada
- Saltillo, Mexico

## COMMERCIAL

OUR PRODUCTS ARE SHIPPED TO OUR NETWORK OF DISTRIBUTORS WHO DESIGN AND INSTALL UPFIT SOLUTIONS FOR CUSTOMERS IN THEIR LOCAL MARKETS.

TO FIND YOUR LOCAL DISTRIBUTOR, GO TO [ADRIANSTEEL.COM/DISTRIBUTORS](https://adriansteel.com/distributors)

## FLEET

OUR PRODUCTS ARE DELIVERED TO OUR SHIP-THRU INSTALLATION FACILITIES THAT ARE CONVENIENTLY LOCATED NEAR THE OEM MANUFACTURING PLANTS ACROSS THE COUNTRY.

TO FIND YOUR FLEET ACCOUNT EXECUTIVE, GO TO [ADRIANSTEEL.COM/BUY/FLEETS](https://adriansteel.com/buy/fleets)

# NEVER REACH INSIDE THE TRUCK BED AGAIN!

PRODUCTS THAT WORK TOGETHER SEAMLESSLY TO BRING THE INSIDE OF YOUR TRUCK BED, OUT.

FAST, SAFE & EASY ACCESS



## QUICK ROI!

A PEST CONTROL COMPANY DETERMINED THAT EACH VEHICLE CAN SERVICE APPROXIMATELY 20 MORE CLIENTS PER MONTH WITH EXTENDED BED.

\$80 SERVICE FEE PER CLIENT  
X 20 CLIENTS PER MONTH

= \$1,600 ADDITIONAL REVENUE PER MONTH/PER VEHICLE

\$1,600  
X 12 MONTHS

= \$19,200 ADDITIONAL REVENUE PER VEHICLE

## EXTENDED BENEFITS

### EXTENSION PAST TAILLIGHTS (110%)

// Complete access to your tools and consumables without reaching or leaning into the truck minimizes your risk of injury.

Increased safety = increased savings (e.g., one back injury may cost up to \$50,000 in a worker's comp claim).

// Full extension provides you with greater side access on the slide out.

Other slide outs can still be up to 8" – 12" inside the truck/van bed even at 100% extension, reducing side access.

### COMMERCIAL GRADE CONSTRUCTION

// A fully welded steel frame provides for increased load capacity of 1,200 lbs.

// Ease of use with 2 3/8" high-capacity roller bearings.

// Simple 4-bolt/bracket installation

// 20 Year Warranty

### INCREASED JOB SITE EFFICIENCY

// Shelving and accessories attached to the deck of the slide out are available to get work crews on/off job sites quicker.

// Organized supplies and tools means no more wasted trips back to the warehouse to get items that are on the truck/van but can't be easily found.

#### PART NUMBER

#### PRODUCT

EBL1272

Extended, 6.5' Beds

HDW71974

Riser Kit  
for Silverado 1500 6.5' Bed  
*(required for proper functionality)*

## SLIDEOUT PLATFORM SHELVING BENEFITS

### PURPOSE BUILT FOR TRUCKS

// The only shelving designed to work in the bed of the truck on a sliding platform.

// No cutting or modification required.

// Designed to be free-standing on Extended.

### MODULAR DESIGN

// Configure the space between shelves for better customization.

### TESTED TOUGHNESS

// Strength-to-weight ratio of 50lbs matches/exceeds competitors.

### STREAMLINED INSTALLATION

// Fewer parts with standard fasteners.



## HVAC INTEGRATED SOLUTION

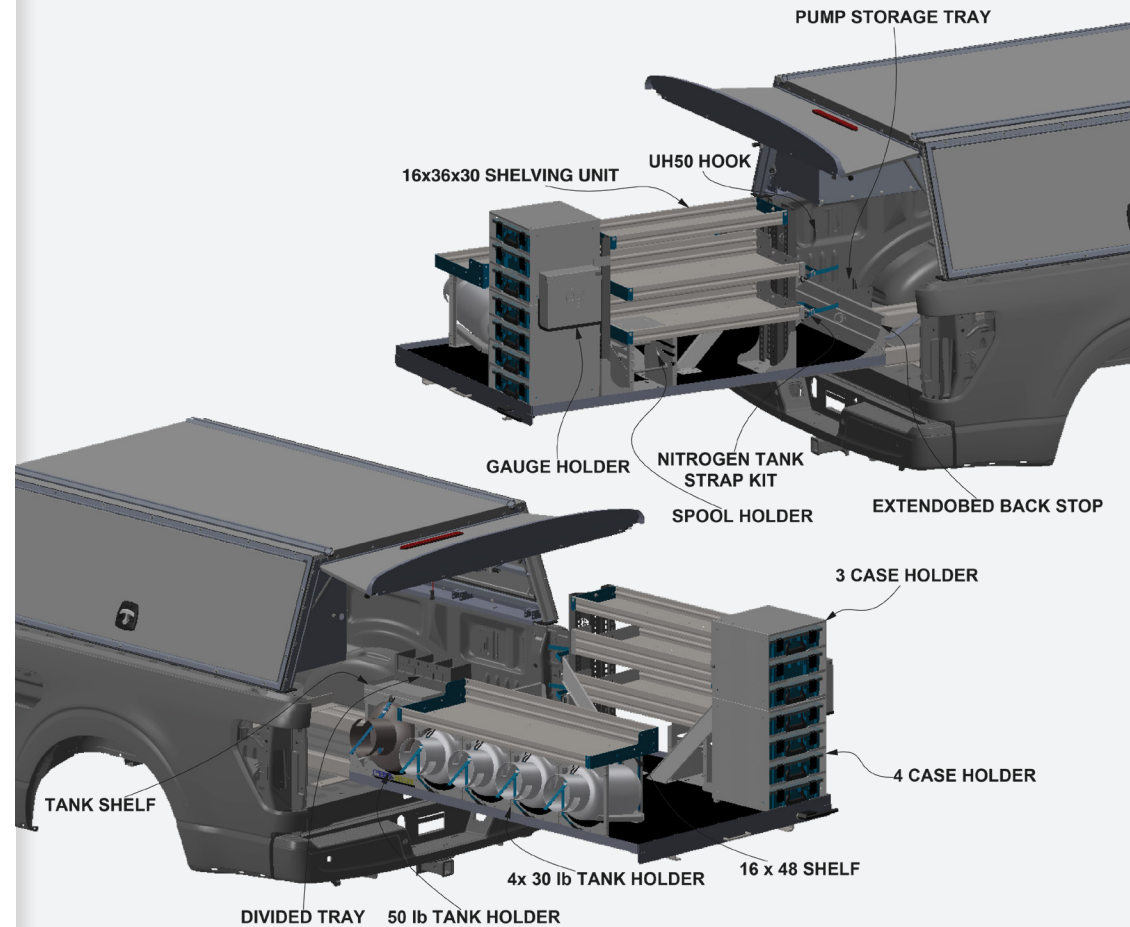
### HVAC-EBP72

Available for Ford F-150 6.5' Bed & Chevy Silverado 1500 6.5' Bed

PRODUCT	PART NUMBER	QTY
50 LB TANK HOLDER	150TR	1
30 LB TANK HOLDER	130TR	4
4-CASE HOLDER W/ CASES	CHPPC4S	1
3-CASE HOLDER W/ CASES	CHPPC3S	1
TANK SHELF, 50 LB	TRSHLF50	1
SOLVENT TRAY, 14"	66206	1
VACUUM PUMP HOLDER	VPH1	1
HVAC GAUGE COVER	GC1	1
UTILITY HOOK, 5"	UH50	1
WIRE REEL HOLDER, 6"-12" REELS	WRH3	1
MOUNTING BRACKET	72665	1
3-SHELF UNIT, 36"W X 16"D X 30"H	PTSU2T163630A3	1
EXTENDEBED BACK PANEL KIT	EBLBPK4808	1
END CAP KIT	PECKT2T16A1	1
48" SHELF KIT, SINGLE	PSFK2T1648G1	1
NITROGEN TANK HOLDER	1NTR	1
MOUNTING HARDWARE, SHELVING TO EXTENDEBED	BAGEBLMNT	2
MOUNTING HARDWARE, END PANEL	BAGPEPACCMNT4	1
EXTENDEBED SPACER	03927-2	4

Package intended to be used with Extendebed sliding platform.  
\*Not Included in Package\*

EBL1272



## ELECTRICAL INTEGRATED SOLUTION

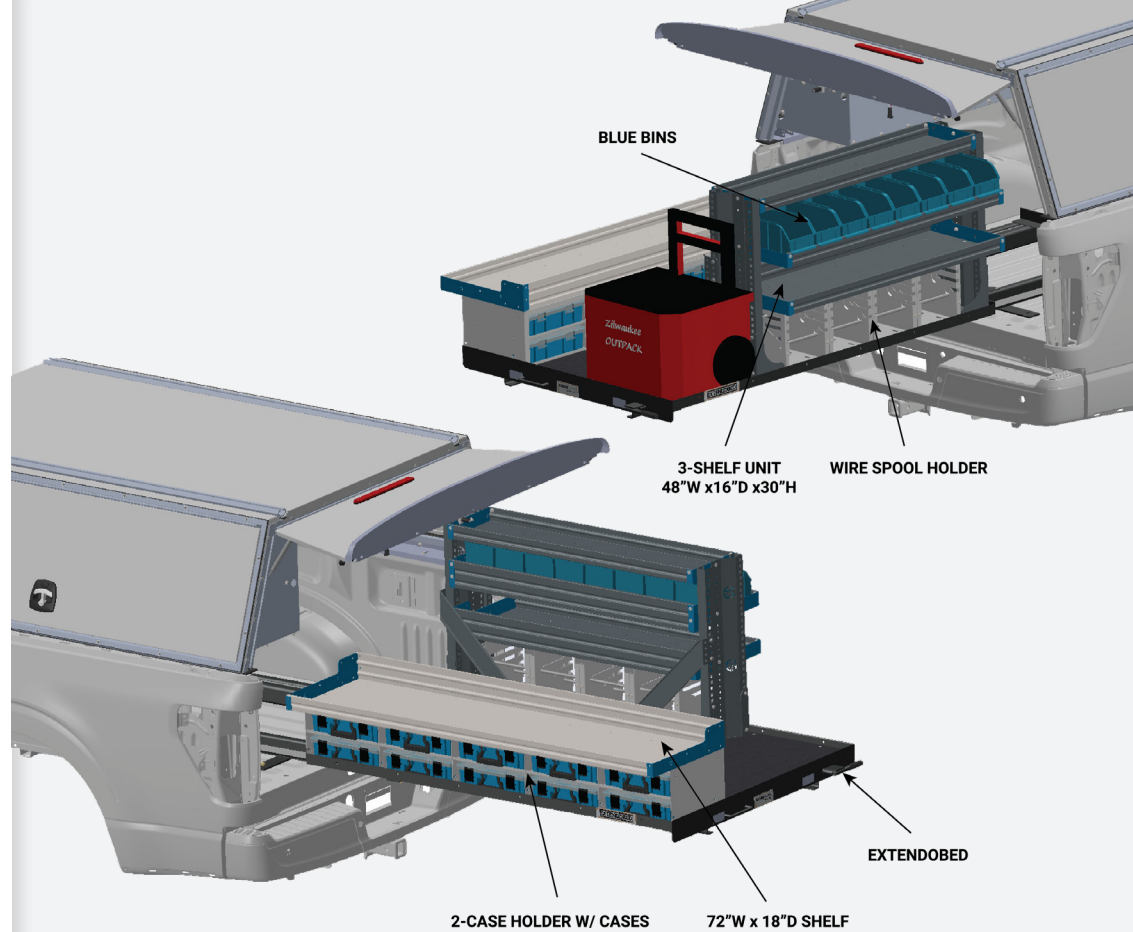
### ELE-EBP72

Available for Ford F-150 6.5' Bed & Chevy Silverado 1500 6.5' Bed

PRODUCT	PART NUMBER	QTY
2-CASE HOLDER W/ CASES	CHPPC2S	5
3-SHELF UNIT, 48"W X 16"D X 30"H	PTSU2T164830A3	1
END CAP KIT	PECKT2T16A1	1
72" SHELF KIT, SINGLE	PSFK2T1672G1	1
WIRE REEL HOLDER, 6"-12" REELS	WRH3	4
6" PORTABLE BIN	SBIN060614	8
5" UTILITY HOOK	UH50	2
MOUNTING HARDWARE, SHELVING TO EXTENDOBED	BAGEBLMNT	2
MOUNTING HARDWARE, END PANEL	BAGPEPACCMNT4	1
EXTENDOBED SPACER	03927-2	20

Package intended to be used  
with Extendobed sliding platform.  
\*Not Included in Package\*

EBL1272



## EXTENDOBED & SHELVING AVAILABLE BY APRIL 1, 2024:

// Ford F-150 6.5' Bed

// Chevrolet Silverado 1500 6.5' Bed

## COMING IN 2024!

// Ram 1500/2500/3500 6.3' Bed

// F-250/F-350 6.75' Bed

// Silverado 2500/3500 6.75' Bed

// F-150/F-250/F-350 8' Bed

// Silverado 1500/2500/3500 8' Bed

// Ram 1500/2500/3500 8\" Bed

// Colorado 5' Bed

// Maverick 4.5' Bed

// F-150 Lightning 5.5' Bed



**CONTACT YOUR NEAREST ADRIAN STEEL DISTRIBUTOR TO  
GET YOUR INTEGRATED TRUCK SOLUTION, TODAY.**

**[ADRIANSTEEL.COM/DISTRIBUTORS](http://ADRIANSTEEL.COM/DISTRIBUTORS)**

906 James Street  
Adrian, Michigan 49221-3996

P: 517-265-6194  
Toll Free 800-677-2726

[info@adriansteel.com](mailto:info@adriansteel.com)  
[adriansteel.com](http://adriansteel.com)



**TRUST // INNOVATION // QUALITY // DELIVERY**